

D.C. geared motors with brushes

→ 6 Nm GDR2 33 Watts

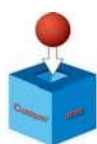
- Torque rating of gearboxes: 6 Nm, metal gears for long service life
- Motors: usable power 27 W
- Speed range: 5 to 14 rpm
- Output via 200 mm lead
- UL approved



Part numbers

		33 W	33 W
Type		828325	828325
Voltages		12 V	24 V
Standard speed (rpm)		2600	2600
Output speed (rpm)	Ratios (i)		
14	130	●	●
11	162.5	●	●
9	216.7	●	●
7	260	●	●
6	338	●	●
General characteristics			
Motor		828300	828300
Gearbox		810326	810326
Maximum permitted torque from gearmotor under continuous conditions for 10 millions turns (Nm)		6	6
Axial load dynamic (daN)		3,5	3,5
Radial load dynamic (daN)		5	5
Max. output power (W)		33	33
Nominal output (W)		27	27
Gearbox case temperature rise (°C)		50	50
Weight (g)		1400	1400
Approvals		UL 1004	UL 1004

Product adaptations



- Special supply voltage
- Special cable length
- Optical or Hall effect encoder
- Special connectors
- Special shaft
- Special reduction ratio
- Special materials for gears
- Special adaptor plate
- UL/CSA logo on label
- High-speed version 828320

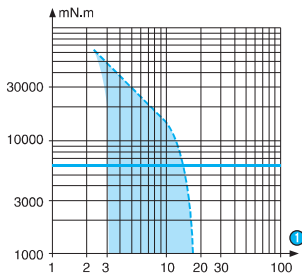
Stocked product

Product made to order

To order, see page 18

Curves

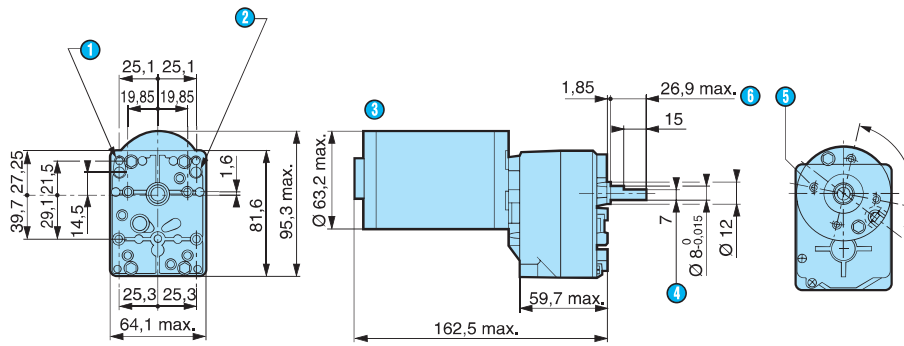
Curve: torque/nominal speed



① rpm

Dimensions

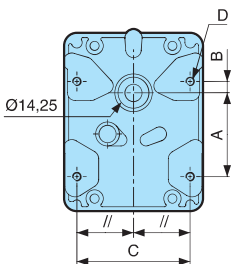
828325



- ① 3 holes M5 at 120° depth 7.5 mm
- ② 8 holes M4 depth 7.5 mm
- ③ Lead length 200 mm
- ④ 7 across flats
- ⑤ 4 holes M5 over $\varnothing 40$ depth 7 mm
- ⑥ Shaft pushed-in

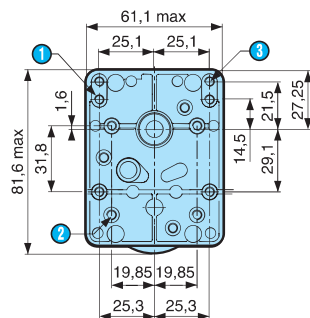
Options

Cover E



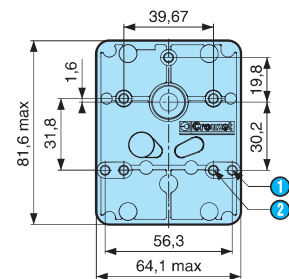
Special fixing holes can be made

Cover 1



- ① 4 holes M4 depth: 7.5 mm
- ② 3 holes M5 at 120° depth: 7.5 mm
- ③ 4 holes M4 depth: 7.5 mm

Cover 2



- ① 3 holes M4 depth: 7.5 mm
- ② 4 x 8-32 UNC-2B holes depth: 7.5 mm

Other information

Options

- 48 V motor
- Drawn cup needle bearings on gearbox output shaft
- Cover 1 or 2 or E
- Shaft diameter 9.52 or 8 mm