

D.C. geared motors with brushes

→ 5 Nm RC65 3.9 Watts

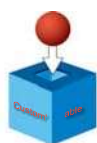
- Torque rating of gearboxes: 5 Nm, metal gears
- Motors: nominal power 3 W / interference suppression for standard stocked products
- Speed range: 1.7 to 344 rpm
- Optional encoder built into the motor



Part numbers

		3.9 W	3.9 W
Type		828670	828670
Voltage		12 V	24 V
Output speed (rpm)	Ratios (i)		
344	12.5	82867001	82867007
258	50/3	•	•
172	25	82867002	82867008
103	125/3	82867003	82867009
69	62.5	82867004	82867010
34	125	82867005	82867011
17	250	•	•
8.6	500	82867006	82867012
1.72	2500	•	•
General characteristics			
Motor		828600	828600
Gearbox		810370	810370
Maximum permitted torque from gearmotor under continuous conditions (for 1 million turns) (Nm)		5	5
Axial load dynamic (daN)		2	2
Radial load dynamic (daN)		3	3
Max. output power (W)		3.9	3.9
Nominal output (W)		3	3
Gearbox case temperature rise (°C)		50	50
Weight (g)		465	465

Product adaptations



- Special supply voltage
- Lead output
- 1 or 5 pulse Hall effect encoder
- Special connectors
- Special shaft
- Special reduction ratio (40 ratios available from 4 to 3750)
- Special materials for gears
- Special ball bearings
- Special adaptor plate
- EMC filter
- With shorter 1 W motor

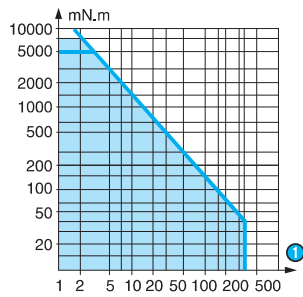
Stocked product

Product made to order

To order, see page 18

Curves

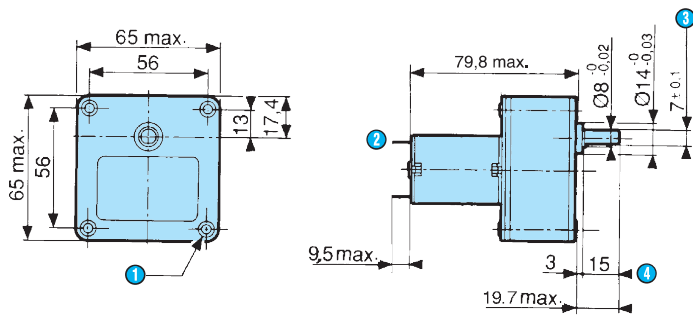
Curve: torque/nominal speed



① rpm

Dimensions

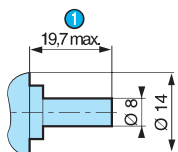
828670



- ① 4 fixing holes $\text{Ø} \text{M4} \times 12$
- ② 2 standard tags NFC 20-120, series 2.8 x 0.5 mm
- ③ 7 ± 0.1 across flats
- ④ Shaft pushed-in

Options

Shaft 79206478



- ① Shaft pushed-in