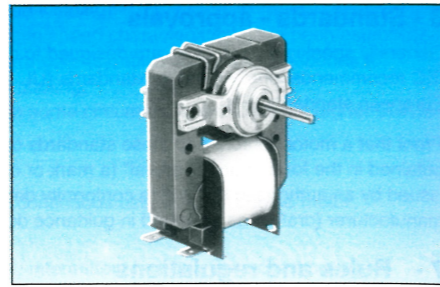


# Single-direction asynchronous motors

- Direction of rotation controlled by dephasing rings
- Output speed depends on supply frequency, and the load driven
- Sintered bearings, lubricated for life
- UL-CSA approved see page 4/7
- IP00 degree of protection



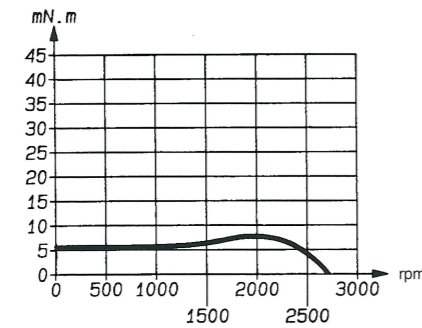
## Applications

- Fans
- Blowers
- Pumps
- Office equipment
- Mixers
- Dryers
- Overhead projectors

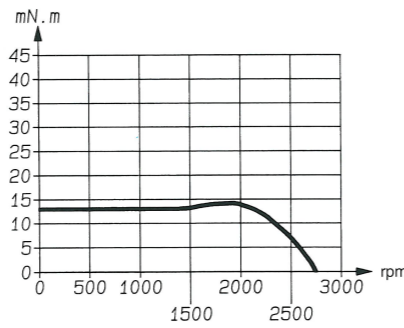
Types		82 670 0	82 600 0	82 620 0
<b>Voltage and frequency</b>		230 V 50 Hz	230 V 50 Hz	230 V 50 Hz
<b>Direction of rotation / Part Numbers</b>				
Clockwise		•	•	•
Anti-clockwise		•	•	•
<b>General characteristics</b>				
Base speed of motor with no load	rpm	2700	2800	2850
Absorbed power	W	14	23.8	23.7
Usable power at 1800rpm / *2000 rpm / **2400 rpm	W	1.2	3.3	5.37*
Start torque	m.Nm	5.5	14.4	17.1
Cos φ (power factor)		0.52	0.53	0.57
Temperature rise	°C	70	70	70
Ambient	°C	-5 +60	-5 +60	-5 +60
Weight	g	390	520	700
<b>Options : with catalogue products available to order</b>				
Voltages / Frequencies	24 - 115 V - 50 Hz	—	•	•
	24 - 115 V - 60 Hz	—	•	•
	240 V - 50 Hz	—	•	•
Coil with flying leads (length 250 mm)		—	•	•
Thrust assembly X for operation with shaft vertical (see page 4/24)		—	•	•

## Torque /Speed curves

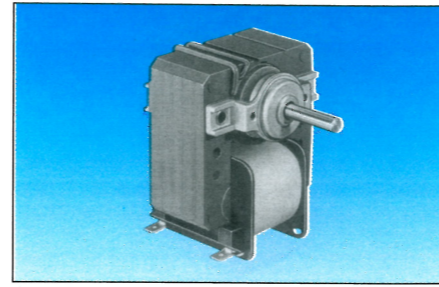
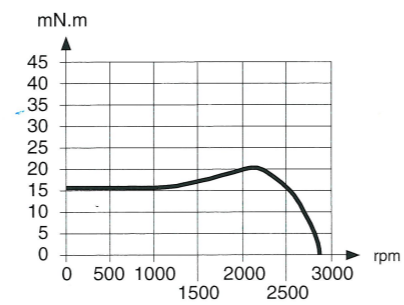
82 670 0



82 600 0

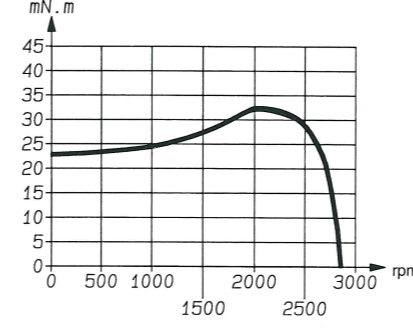


82 620 0

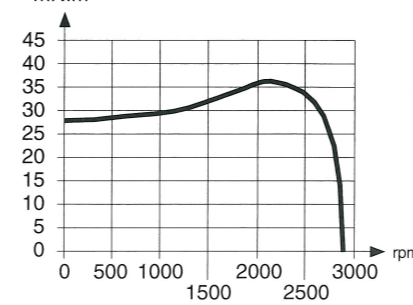


Types		82 640 0	82 660 0
<b>Voltage and frequency</b>		230 V 50 Hz	230 V 50 Hz
<b>Direction of rotation / Part Numbers</b>			
Clockwise		•	•
Anti-clockwise		•	•
<b>General characteristics</b>			
Base speed of motor with no load	rpm	2900	2900
Absorbed power	W	28.4	32
Usable power at 1800rpm / *2000 rpm / **2400 rpm	W	8.4*	9.7**
Start torque	m.Nm	23.4	28.7
Cos φ (power factor)		0.57	0.57
Temperature rise	°C	70	70
Ambient	°C	-5 +60	-5 +60
Weight	g	980	1300
<b>Options : with catalogue products available to order</b>			
Voltages / Frequencies	24 - 115 V - 50 Hz	—	•
	24 - 115 V - 60 Hz	—	•
	240 V - 50 Hz	—	•
Coil with flying leads (length 250 mm)		—	•
Thrust assembly X for operation with shaft vertical (see page 4/24)		—	•

82 640 0



82 660 0



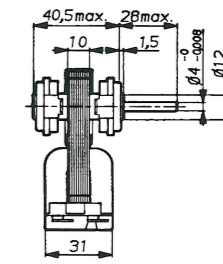
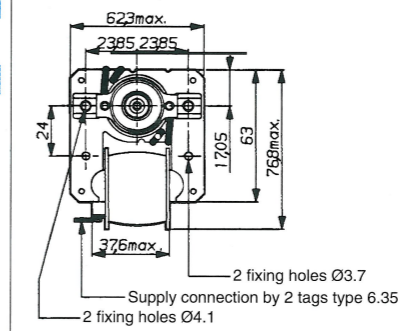
1

2

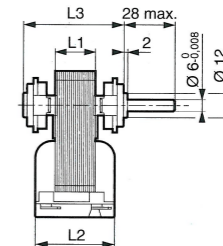
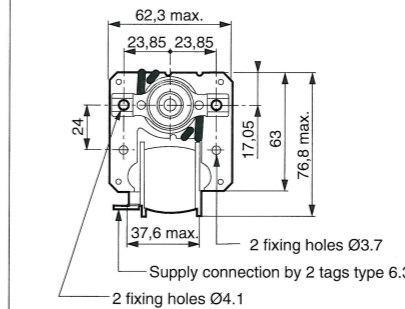
3

4

## Dimensions



## 82 600 0 - 82 620 0 - 82 640 0 - 82 660 0



Type	L1(mm)	L2(mm)	L3(mm)
82 600 0	14	35	44.5
82 620 0	20	42.6	50.5
82 640 0	30	52.6	60.5
82 660 0	40	62.6	70.5

## Made to order products available on request

- other supply voltages and frequencies
- shaft projection beyond bearing
- ball bearings in motor bridges (see page 4/22)
- coil with flying leads
- to increase the usable power : (special coils, C type) for intermittent use only (see page 4/6).
- coil supplied with thermal cut-out to suit duty factor 100° - 120° or 130° C 100°.
- rear shaft extension
- UL/CSA approved product

## Other information

Basic principles see page 4/4  
Insulation class IEC 85 : A  
Speed rises by 20 % for a change in supply frequency from 50 Hz to 60 Hz.

## To order, specify :

Standard products	3	Part number	Example : Single - direction asynchronous motor - 82 660 036						
Standard products, non stocked	1	Type	2	Voltage and frequency	3	Direction of rotation	4	Option	
Made to order products available on request	Example : Single - direction asynchronous motor - 82 620 0 - 240 V - 50 Hz - Clockwise								