

# D.C. geared motors with brushes

## → 5 Nm RC5 42 and 52 Watts

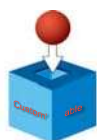
- Torque rating: 5 Nm, for long service life
- Motors: nominal power 32 W
- High-quality gearbox, moulded zamac casing
- Base speed range: 13.8 to 805 rpm
- UL approved



### Part numbers

		42 W	52 W
Type		808550	808550
Voltages		12 V	24 V
Standard speed (rpm)		3400	3400
<b>Output speed (rpm)</b>	<b>Ratios (i)</b>		
805	4.22	●	●
503	6.75	●	●
444	7.66	●	●
277	12.25	●	●
222	15.31	●	●
139	24.5	●	●
89	38.28	●	●
69	49	●	●
55	61.25	●	●
28	122.5	●	●
13.8	245	●	●
<b>General characteristics</b>			
Motor		828500	828500
Gearbox		810350	810350
Maximum permitted torque from gearmotor under continuous conditions (2.5 million revolution) (Nm)		5	5
Axial load dynamic (daN)		6	6
Radial load dynamic (daN)		6	6
Max. output power (W)		42	52
Nominal output (W)		32	32
Gearbox case temperature rise (°C)		45	45
Weight (g)		985	985
Approvals		UL 1004	UL 1004

### Product adaptations



- Special supply voltage
- Special cable length
- Optical or Hall effect encoder
- Special connectors
- Special shaft
- Special reduction ratio
- Special materials for gears
- Special ball bearings
- Special adaptor plate
- With UL/CSA logo on label
- With shorter 828108 and 808008 motors - 10 and 17 W

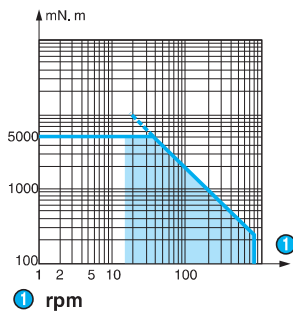
Stocked product

Product made to order

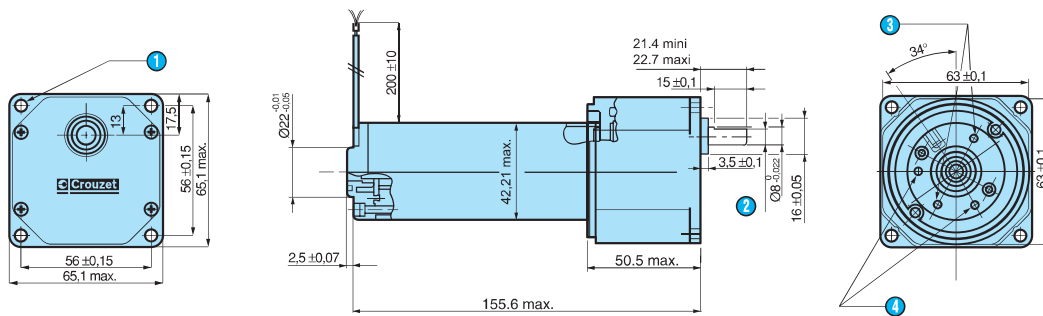
To order, see page 18

## Curves

Curve: torque/nominal speed



## Dimensions



- 1 4 fixing holes  $\text{Ø} 4.2$
- 2  $7 \pm 0.1$  across flats
- 3 2 holes  $\text{M}3 \times 0.5$  at  $180^\circ$  depth 4 over  $\text{Ø} 32$
- 4 2 holes  $2.5 \pm 0.5$  at  $120^\circ$  depth 4.5 over  $\text{Ø} 32$

## Other information

### Options

- Ball bearings on gearbox output shaft: part number becomes 808555
- EMC filter
- 48 V motor
- 1- or 2-channel encoder, 1, 5 or 12 pulses/revolution