

BRUSHLESS DC geared motors

→ 80 Watts with right-angle gearbox

- Output perpendicular to motor,
- Ideal for low reduction ratios,
- Ideal for applications needing a compact motor,
- Silent operation,
- Irreversible with high ratios.

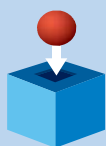


Specifications

Ratios (i)	Output speed (rpm)	Available torque (N.m)	80 Watts PWM control	80 Watts 0-10 V control
5	650	1,0	80 181 001	80 181 010
10	325	1,7	80 181 002	80 181 011
20	163	2,9	80 181 003	80 181 012
30	108	3,5	80 181 004	80 181 013
50	65	3,4	80 181 006	80 181 015

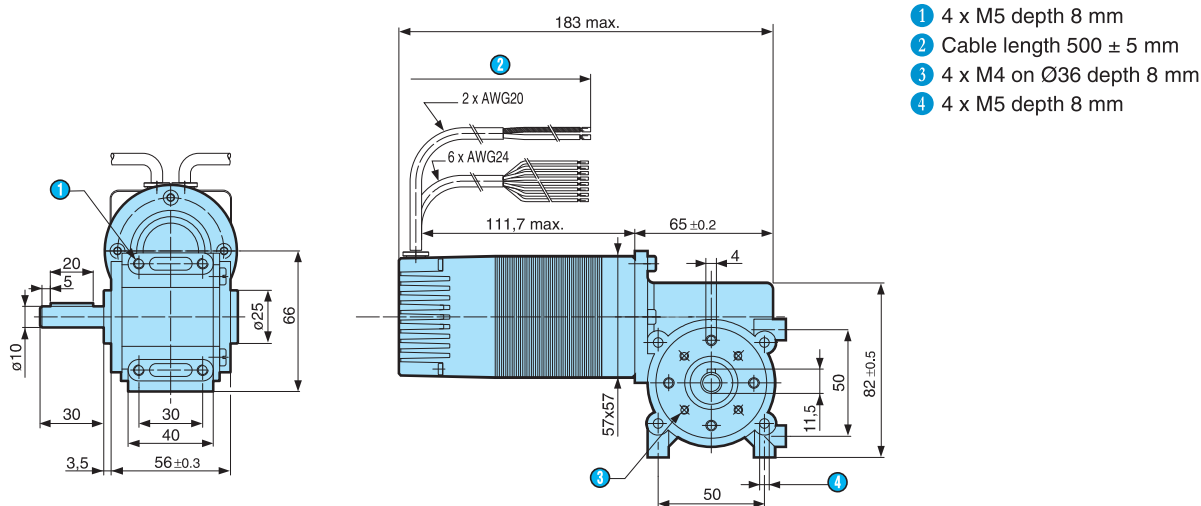
General characteristics	
Motor	80 180
Speed control	PWM
Axial load dynamic (daN)	10
Radial load dynamic (daN)	15
Temperature rise at 50 % cycle (°C)	45
Weight (g)	1 920

Product adaptations



- 2 quadrant speed regulation,
- Motors with hall effect sensors only,
- Adaptations on electronics,
- Special cable lengths,
- Special connectors fitted to the cable.

Dimensions



User information

Respect the limits and precautions of use written in the 80 W motor section.
 Continuous operation may cause overheating of the gearbox.
 This gearbox is recommended for applications where the on time does not exceed 50 % of the time, please consult us.