

- Speeds from 1 to 208 rpm
- Usable powers from 3W to 9W
- Sintered bearings, lubricated for life
- IP00 degree of protection



Applications :

Office equipment
Mechanised advertising devices
Medical equipment
Automatic feeders
Turntables

Types						
		80 607 0		80 627 0		80 647 0
Voltage and frequency						
		230 V - 50 Hz				
Direction of rotation						
		Clockwise	Anti-clockwise	Clockwise	Anti-clockwise	Clockwise Anti-clockwise
Output speeds (rpm)		Ratios (i)				
208		12.5	◆		◆	◆
104		25	◆		◆	◆
83		31.25	◆		◆	◆
62		41.66	◆		◆	◆
41		62.5	◆		◆	◆
31		83.33	◆		◆	◆
21		125	◆		◆	◆
10,4		250	◆		◆	◆
5,2		500	◆		◆	◆
3,5		750	◆		◆	◆
1		2500	◆		◆	◆

**Made to order products,
available on request**

Motors :

- *Other voltages and frequencies
- *Lead length
- *Oversized winding
- *For vertical operation
- *Cooling fan
- *Coil supplied with thermal cut-out to suit duty factor 100°C, 120°C, 130°C
- *Position of motor relative to gearbox
- *Rear shaft extension
- *Brake

Gearboxes :

- *Output shaft carried in rolling element bearings
- *Other output speeds
- *Other output shafts

Standard gearbox shaft : see dimensions

General characteristics

Motor		82 600 0	82 620 0	82 640 0
Gearbox		81 037 0	81 037 0	81 037 0
Maximum permitted continuous-rated gearbox output torque over 1 million revolutions	Nm	5	5	5
Base speed of motor (with nominal load) 50 Hz	rpm	2600	2600	2600
Axial load (dynamic)	da.N	2	2	2
Radial load (dynamic)	da.N	3	3	3
Absorbed power	W	23.8	23.7	28.4
Usable motor power	W	3.1	5.2	6.5
Cos (power factor)		0.53	0.57	0.57
Maximum temperature rise	(°C)	70	70	70
Ambient temperature rise		-5 +60	-5 +60	-5 +60
Weight (approximate)	g	840	1020	1300

Options : With catalogue products available to order

Voltages / Frequencies				
	24-115-240 V - 50 Hz	◆	◆	◆
	24-115 V - 60 Hz	◆	◆	◆
Coil with flying leads (length 250mm)		◆	◆	◆
8 mm Ø round shaft (79 206 478)		◆	◆	◆

- Speeds from 1 to 208 rpm
- Usable powers from 3W to 9W
- Sintered bearings, lubricated for life
- IP00 degree of protection



Applications :

Office equipment
Mechanised advertising devices
Medical equipment
Automatic feeders
Turntables

Types

80 667 0

80 667 0

Voltage and frequency

230 V - 50 Hz

Direction of rotation

Anti-clockwise

Clockwise

Output speeds (rpm)

Ratios (i)

208		12.5	◆	◆
104		25	80 667 001	80 667 002
83		31.25	◆	◆
62		41.66	80 667 004	80 667 003
41		62.5	80 667 006	80 667 005
31		83.33	80 667 008	80 667 007
21		125	80 667 009	80 667 010
10,4		250	80 667 011	80 667 012
5,2		500	80 667 014	80 667 013
3,5		750	◆	80 667 015
1		2500	◆	80 667 017

**Made to order products,
available on request**

Motors :

- *Other voltages and frequencies
- *Lead length
- *Oversized winding
- *For vertical operation
- *Cooling fan
- *Coil supplied with thermal cut-out to suit duty factor 100°C, 120°C, 130°C
- *Position of motor relative to gearbox
- *Rear shaft extension
- *Brake

Réducteur :

- *Other output speeds
- *Other output shafts
- *Output shaft carried in rolling element bearings

Standard gearbox shaft : see dimensions

General characteristics

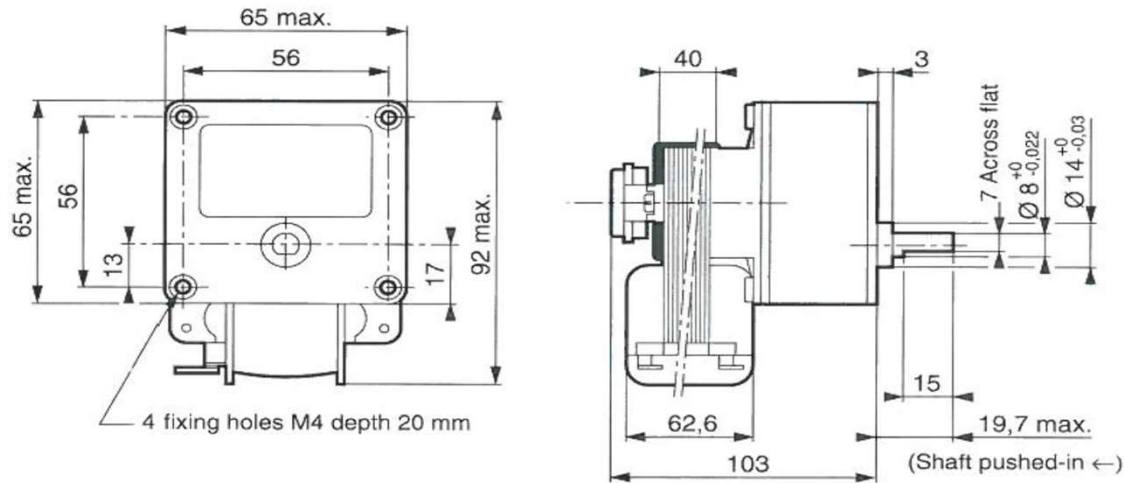
Motor		82 660 0	82 660 0
Gearbox		81 037 0	81 037 0
Maximum permitted continuous-rated gearbox output torque over 1 million revolutions	Nm	5	5
Base speed of motor (with nominal load) 50 Hz	rpm	2600	2600
Axial load (dynamic)	da.N	2	2
Radial load (dynamic)	da.N	3	3
Absorbed power	W	32	32
Usable motor power	W	9.5	9.5
Cos (power factor)		0.57	0.57
Maximum temperature rise	°C)	70	70
Ambient temperature rise		-5 +60	-5 +60
Weight (approximate)	g	1620	1620

Options : With catalogue products available to order

Voltages / Frequencies			
	24-115-240 V - 50 Hz	◆	◆
	24-115 V - 60 Hz	◆	◆
Coil with flying leads (length 250mm)		◆	◆
8 mm Ø round shaft (79 206		◆	◆

Encombrement

80 607 0 - 80 627 0 - 80 647 0 - 80 667 0



Types	L1(mm)	L2(mm)	L3 (mm)
80 607 0	14	35	77
80 627 0	20	42.6	83
80 647 0	30	52.6	93
80 667 0	40	62.6	103

Torque /Speed curves

