

D.C. geared motors with brushes

→ 10 Nm Right-angle gearbox with 33 W motor

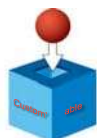
- Output perpendicular to motor
- Ideal for short reduction ratios
- Silent-running gearbox
- Non-reversible movement at high ratios
- UL approved



Part numbers

			33 W	33 W	33 W
Type			808310	808310	808310
Voltages			12 V	24 V	48 V
Speed (rpm)	Available torque (Nm)	Ratios			
300	0.45	5	80831001	80831007	80831013
150	0.8	10	80831002	80831008	80831014
75	1.8	20	80831003	80831009	80831015
50	2.1	30	80831004	80831010	80831016
30	2.9	50	80831006	80831012	80831018
General characteristics					
Motor			828300	828300	828300
Gearbox			810410	810410	810410
Maximum permitted torque (Nm)			10	10	10
Axial load dynamic (daN)			10	10	10
Radial load dynamic (daN)			15	15	15
Operating temperature range (°C)			-10 → +40	-10 → +40	-10 → +40
Service life (h)			5000	5000	5000
Weight (g)			2110	2110	2110
Approvals			UL 1004	UL 1004	UL 1004

Product adaptations



- Encoder with 1, 5, 12 pulses/revolution - 1 or 2 channels, or 48 pulses/revolution - 1 channel
- 2-channel encoder, 200, 500 or 1000 pulses/revolution
- Left-hand, right-hand, double, special shaft
- Special connectors
- Special reduction ratio
- UL/CSA logo on label
- With 828305 - 67 W motor

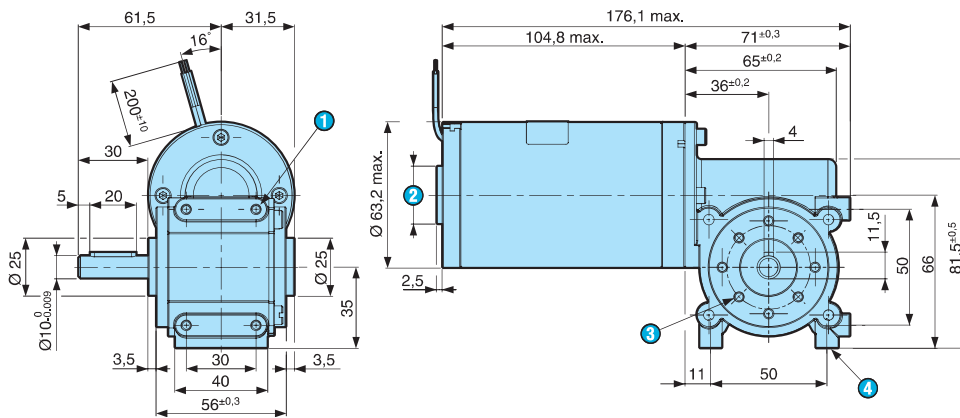
Stocked product

Product made to order

To order, see page 18

Dimensions

808310



- ① 4 x M5 depth 8 mm
- ② Centring diameter
- ③ 4 x M4 over $\varnothing 36$ - depth 8 mm
- ④ 4 x M5 - depth 8 mm