

# D.C. geared motors with brushes

## → 2.5 Nm 1.4 and 3.2 Watts

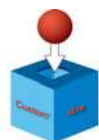
- Gearbox 2.5 Nm nominal
- Class A EMC interference suppression (radiated)
- Compatible with 6 V, 9 V or 12 V battery power supply
- Optional class B interference suppression
- Optional 1, 5, 12 or 48 pulses/rev encoder



### Part numbers

		1.4 W	1.4 W	3.2 W	3.2 W
Type		827130	827130	827230	827230
Voltage		12 V	24 V	12 V	24 V
<b>Output speed (rpm)</b>	<b>Ratios (i)</b>				
165	20.83	82713001	82713009	82723001	82723008
82	41.66	82713002	82713010	82723002	82723009
41	83.33	82713003	82713011	82723003	82723010
23	150	82713004	82713012	82723004	82723011
18	187.5	82713005	82713013	82723005	82723012
11	300	82713006	82713014	82723006	82723013
9	375	82713007	82713015	82723007	82723014
6	600	82713008	82713016	●	●
5	750	●	●	●	●
3	1200	●	●	●	●
1.5	2250	●	●	-	-
1.4	2400	●	●	-	-
0.9	3600	●	●	-	-
<b>General characteristics</b>					
Motor		82710001	82710002	82720001	82720002
Gearbox		810230	810230	810230	810230
Maximum permitted gearbox torque (Nm), Duty cycle 15%, T ON < 20 seconds		2.5	2.5	2.5	2.5
Axial load static (daN)		2	2	2	2
Radial load static (daN)		4	4	4	4
Max. output power (W)		1.4	1.4	3.2	3.2
Nominal output (W)		1	1	2.6	2.6
Gearbox case temperature rise (°C)		40	40	40	40
Weight (g)		320	320	340	340

### Product adaptations



- Special supply voltage
- Lead output
- Special connectors
- Special shaft
- Special reduction ratio
- Special materials for gears
- Special ball bearings
- Special adaptor plate
- Class B EMC filter
- 1 to 48 pulses/revolution encoder

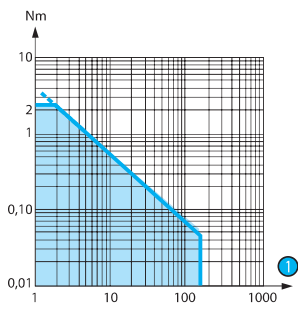
Stocked product

Product made to order

To order, see page 18

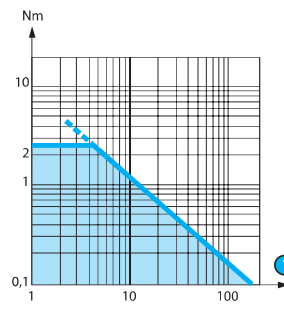
## Curves

Curve: torque/nominal speed 827130



① rpm

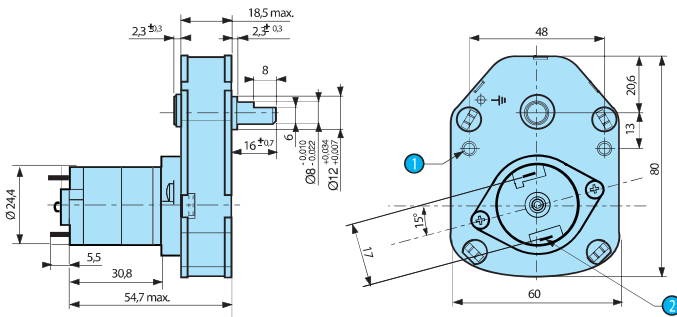
Curve: torque/nominal speed 827230



① rpm

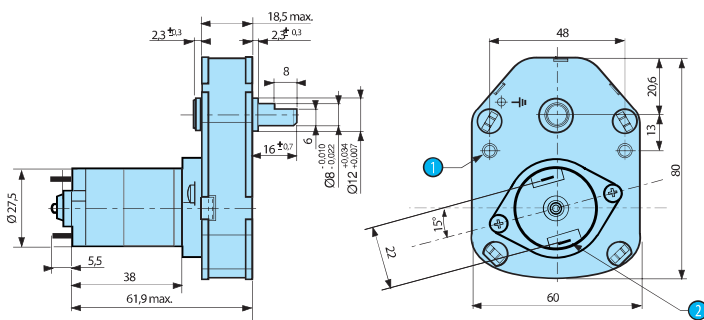
## Dimensions

827130



- ① 2 holes Ø 4 Fixing points
- ② Tags 2.8 x 0.5

827230



- ① 2 holes Ø 4 fixing points
- ② Tags 2.8 x 0.5