

Reversible synchronous geared motors

→ 2 Nm 3.5 Watts

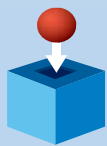
- Mechanical strength : 2 Nm
- Constant speed, dependent on supply frequency
- Wide range of speeds available
- Direction of rotation controlled by dephasing capacitor
- Permanent magnet rotor
- UL, CSA, VDE approved, comply with IEC standards



Specifications

		3.5 Watts	3.5 watts
Type		82 529 0	82 529 4
Voltage / Frequency		230-240 V - 50 Hz	230-240 V - 50 Hz
Base speed of motor (rpm)		250	375
Output speed (250 RPM)	Output speed (375 RPM)		
10.00 rpm	15.00 rpm	●	●
5.00 rpm	7.50 rpm	●	●
4.00 rpm	6.00 rpm	-	●
2.50 rpm	3.75 rpm	●	●
1.00 rpm	1.50 rpm	●	●
0.50 rpm	0.75 rpm	●	●
0.33 rpm	0.50 rpm	●	●
5.00 rev/hr	7.50 rev/hr	●	●
General characteristics			
Motor		82 520 0	82 520 4
Gearbox		81 033 0	81 033 0
Maximum permitted continuous rated gearbox output torque for 1 million revolutions of gearbox output shaft Nm		2.0	2.0
Axial load static (daN)		1	1
Radial load static (daN)		10	10
Absorbed power (W)		3.5	3.5
Motor output (W)		0.98	1.12
Maximum temperature rise (°C)		50	50
Ambient temperature (°C)		-5 → +70	-5 → +70
Weight (g)		260	350
Wires length mm (approximately)		250	250
Protection rating		IP40	IP40

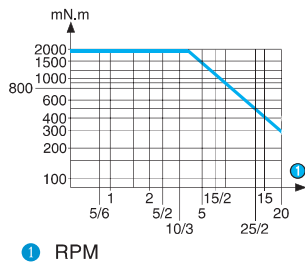
Product adaptations



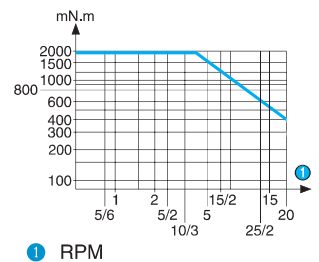
- Special supply voltages
- Special cable lengths
- Special connectors
- Special output shafts
- Special gearbox ratios
- Special gear wheel material
- Special output bearings

Curves

Torque/speed curves 82 529 0



Torque/speed curves 82 529 4



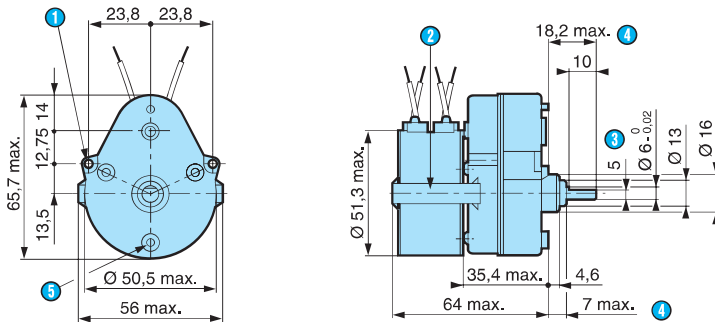
To order, see page 13

Accessories

Voltages/Frequencies	μF	V	Code
Capacitors for motor 82 520 0			
230-240 V - 50 Hz	$0,10 \pm 10 \%$	700	26 231 941
115 V - 60 Hz	$0,33 \pm 10 \%$	400	26 231 801
24 V - 50 Hz	$8,2 \pm 10 \%$	70	26 231 711
Capacitors for motor 82 520 4			
230/240 V - 50 Hz	$0,12 \pm 10 \%$	600	26 231 903
115 V - 60 Hz	$0,39 \pm 5 \%$	630	26 231 924
24 V - 50 Hz	$15 \pm 5 \%$	70	26 231 728
24 V - 60 Hz	$12 \pm 5 \%$	63	26 231 145

Dimensions

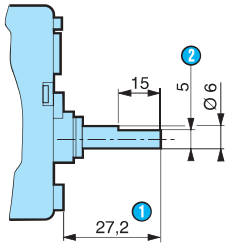
82 529 0 - 82 529 4



- ① 2 fixing holes $\text{Ø} 3,2$
- ② Fixing clip
- ③ 5 across flat
- ④ (pushed-in shaft ←)
- ⑤ 3 mounting bosses $\text{Ø} 7,2$ at 120°
on radius= 19,5 - 3 holes M3 depth 4

Options

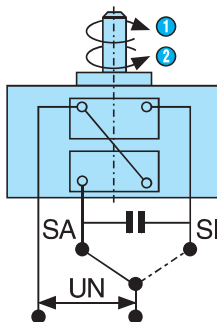
Shaft 79 202 573



- ① (shaft pushed-in ←)
- ② 5 across flat

Connections

In parallel Motors 82 520 0 - 82 520 4



- ① SA : clockwise
- ② SI : anti-clockwise

Other information

The speed of a motor powered by a 60 Hz supply is 20 % higher than that of a motor powered by a 50 Hz supply.