

Brushless DC geared motors

→ 100 W planetary geared motors Ø81 mm

With or without integrated control electronics

- Output in motor shaft
- Ideal for high reduction ratios
- Ideal for high-torque applications
- Excellent efficiency
- Reversible movement

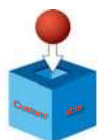


Part numbers

			801897	801897	801897
With built-in electronic control			TNi20	TNi20	-
Without built-in control, with Hall effect sensors			-	-	✓
Ratios (i)	Output speed (rpm) 24 V ---	Available torque (Nm)			
5 - 1 stage	627	1.1	80189701	80189704	-
5 - 1 stage	579	1.4	-	-	●
19 - 2 stages	169	3.7	●	●	-
19 - 2 stages	156	4.8	-	-	●
27 - 2 stages	121	5.2	80189702	80189705	-
27 - 2 stages	112	6.7	-	-	●
100 - 3 stages	33	16.7	●	●	-
100 - 3 stages	30	21.6	-	-	●
139 - 3 stages	23	23	80189703	80189706	-
139 - 3 stages	22	30	-	-	●
General characteristics					
Motor			801800	801800	801805
Nominal motor power at 24 V (W)			80	80	100
Speed control			PWM	0-10V	-
Axial load dynamic (N)			100	100	100
Radial load dynamic (N)			50 / *70 / **120	50 / *70 / **120	50 / *70 / **120
Efficiency (%)			90 / *80 / **70	90 / *80 / **70	90 / *80 / **70
Gearbox case temperature rise (°C)			35	35	45
Weight (g)			2900 / *3600 / **4200	2900 / *3600 / **4200	2900 / *3600 / **4200
Protection index			IP54	IP54	IP54
Comments					
* 2 nd stage - ** 3 rd stage					

All gears are metal and are mounted on drawn cup needle bearings for excellent robustness and a very long service life.
 If you wish to order the geared motor without control electronics but with Hall effect sensors, please specify:
 "BDE30-compatible" or "BDE40-compatible", depending on your application
 "BDE30-compatible" is supplied with connectors but without a temperature sensor in the motor
 "BDE40-compatible" is supplied with bare leads

Product adaptations



- Modification of software for other speed, torque and speed controller settings, position holding, emergency stop via short-circuit
- Dimensions of gearbox shaft
- Cable length, with or without connector
- Other windings
- Low-noise gearbox version
- Other reduction ratios
- Mechanical holding brake

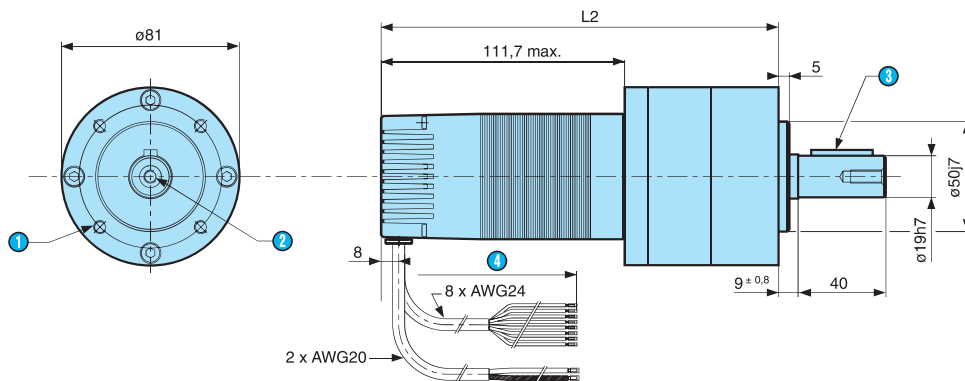
Stocked product

Product made to order

To order, see page 18

Dimensions

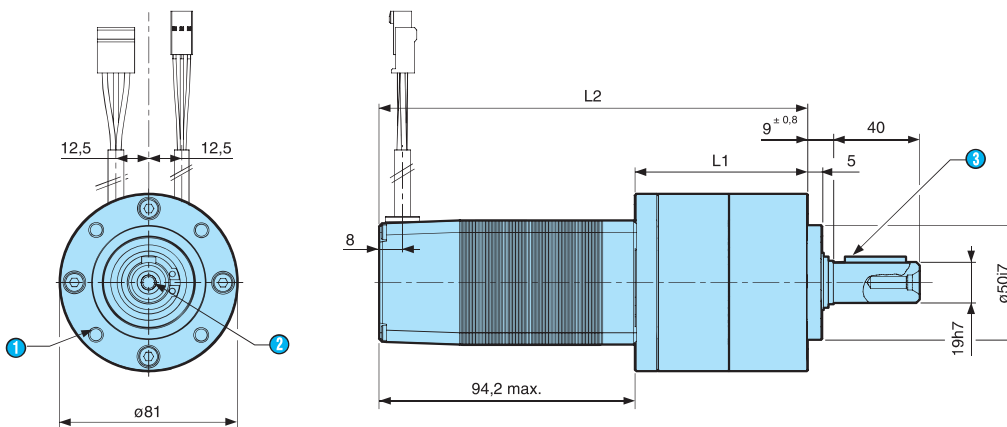
801897 with built-in TNi20



- ① 4 holes M6 x 12 over $\varnothing 65$
- ② Fixing hole M6 x 16
- ③ Length of cable 500 ± 15 mm
- ④ Parallel key (6 x 6 x 28 conforming to DIN 6885 A)

L2 1 stage: 182 mm max.
 L2 2 stages: 203.9 mm max.
 L2 3 stages: 226 mm max.

801897, BDE30-compatible or BDE40-compatible



- ① 4 holes M6 x 12 over $\varnothing 65$
- ② Fixing hole M6 x 16
- ③ Length of cable 500 ± 15 mm
- ④ Parallel key (6 x 6 x 28 conforming to DIN 6885 A)

L2 1 stage: 165.3 mm max.
 L2 2 stages: 187 mm max.
 L2 3 stages: 208.6 mm max.

User information

The limits and precautions for use described in the 80 W brushless motor section must be observed.