

Brushless DC geared motors

→ 40 W right-angle geared motors

With or without integrated control electronics

- Output perpendicular to motor
- Ideal for short reduction ratios
- Ideal for very compact applications
- Silent operation
- Non-reversible movement at high ratios



Part numbers

			801410	801415
With built-in electronic control			SNI10	-
Without built-in control, with Hall effect sensors			-	✓
Ratios (i)	Output speed (rpm) 24 V ---	Available torque (Nm)		
5	440	0.6	80141001	●
10	220	1.0	80141002	●
20	110	1.7	80141003	●
30	74	2.1	80141004	●
50	44	2.4	80141006	●
General characteristics				
Motor			801400	801405
Nominal motor power at 24 V (W)			30	40
Axial load dynamic (N)			100	100
Radial load dynamic (N)			150	150
Temperature rise at 50% cycle (°C)			45	45
Weight (g)			1480	1480
With connectors for card BDE30			-	✓
Protection index			IP54	IP54
Comments				

If you wish to order the geared motor without control electronics but with Hall effect sensors, please specify: "BDE30-compatible" or "BDE40-compatible", depending on your application
 "BDE30-compatible" is supplied with connectors but without a temperature sensor in the motor
 "BDE40-compatible" is supplied with bare leads

Product adaptations



- 2-quadrant speed regulation
- With built-in electronic card TNi20
- No lead output but connector in motor
- Dimensions of gearbox shaft
- Cable length, with or without connector
- Other reduction ratios
- Other windings

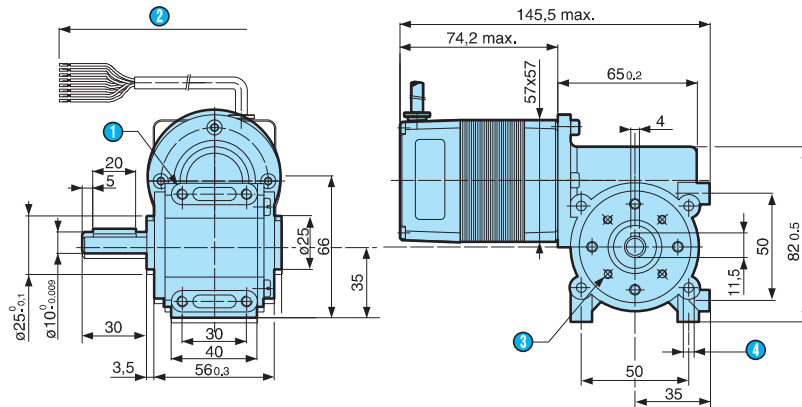
Stocked product

Product made to order

To order, see page 18

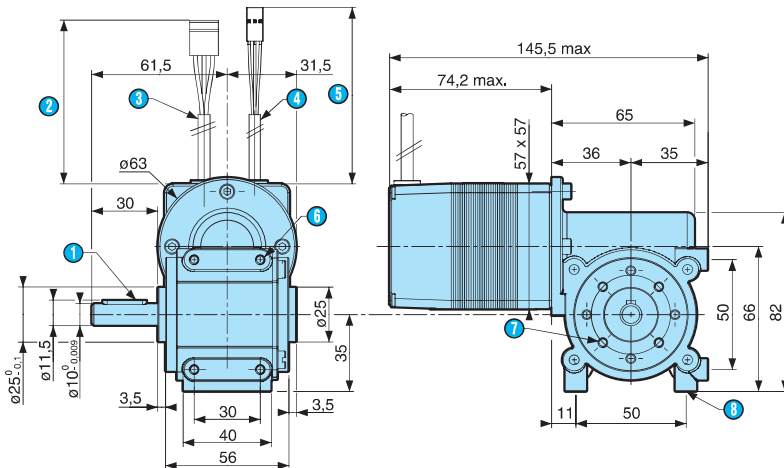
Dimensions

801410 with SNI10



- ① 4 x M5 depth 8 mm (on rectangle 30x50)
 - ② Length of cable 400±10 mm
 - ③ 4 x M4 over Ø 36 depth 8 mm
 - ④ 4 x M5 over depth 8 mm (on rectangle 30x50)
- The left-hand and right-hand sides of the gearbox are identical

801415, BDE30-compatible or BDE40-compatible



- ① Parallel key 4x4x20 DIN 6885 A
- ② Length of power cable 500±10 mm
- ③ Cable 3 x AWG18
- ④ Cable 6 x AWG24
- ⑤ Length of control cable 500±10 mm
- ⑥ 4 holes M5 depth 8 mm
- ⑦ 4 holes at 90° over Ø 36 mm, depth 8 mm
- ⑧ 4 holes M5 depth 8 mm

User information

The limits and precautions for use described in the 30 W brushless motor section must be observed.