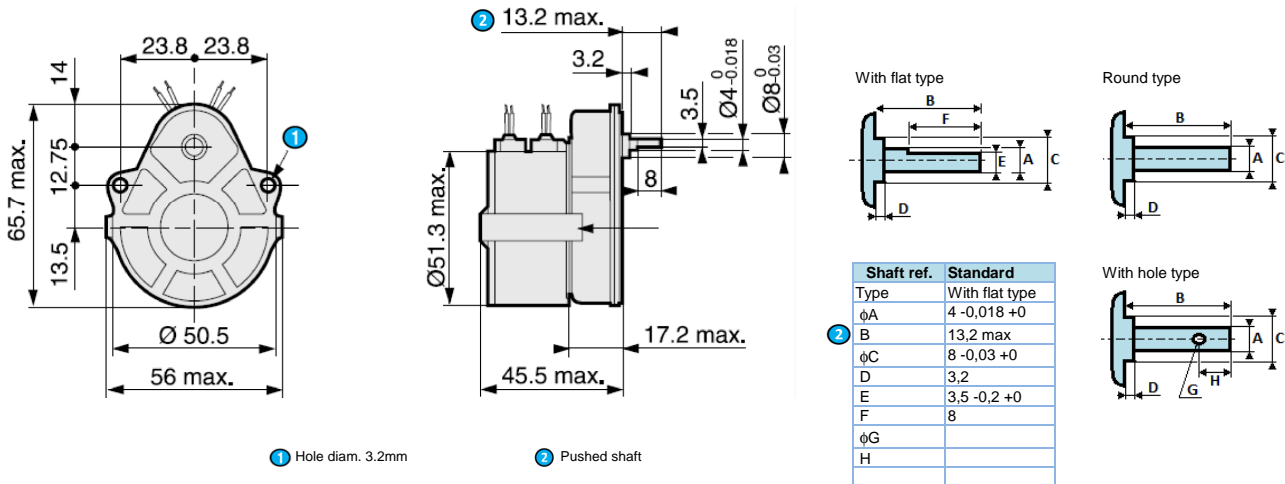


# Stepper gearmotor Data sheet

82 924 049  
ratio 150 - 4 phases

Series  
**829240**



## Product

Code	82 924 049
Family	82924
Type	Stepper gearmotor
Definition	Motor 82920 1,7W 500 rpm nominal 7,5 °/t 48 step/t + Gearbox Ovoide ratio 150 4 phases 46 Ohms/phase

## General characteristics

Motor characteristics (1)	
Motor type	829200
Number of phases	4
Input power	W 7,5
Phase resistor	Ohm 46
Phase inductance	mH 24
Phase current	A 0,28
Maintain torque	mNm 70
Voltage per phase	Vcc 12,9
Step angle	deg 7,5
Step precision	% 5
Rotor inertia	g.cm <sup>2</sup> 18,8
Max. detent torque	mNm 6
Weight	g 210
<b>Output leads</b>	
UL style 1569 105°C 300V - 6 leads AWG24	250 mm +- 10

Gearmotor characteristics (1) (2)		A	B	C	D
Additional resistor /phase	Ohm	0	46	92	138
Voltage (phase + add. resistor)	Vcc	12,9	25,8	38,7	51,6
Max. output power	W	0,53	0,94	1,11	1,24
Speed at max. output power	rpm	1,9	2,7	3,1	3,1
Torque at max. output power	Nm	2,68	3,33	3,39	3,78
Max. current	A			0,28	
Weight	g			140	
Noise level	dBA			35	
Motor fixing on gearbox		<input checked="" type="checkbox"/> Clip			Screws
<b>Miscellaneous</b>					
Dielectric (1s/2mA/50Hz)	CEI60335	Vac		600	
Motor insulation	CEI60085	class		B	
Degree of protection	CEI60529	IP		40	
Temperature range	CEI60068-2-1/2	°C		-30 -> +70	
Storage temperature		°C		-40 -> +80	
<b>Approvals</b>					
ROHS	2011/65/UE		<input checked="" type="checkbox"/>		
EC	2014/30/UE		<input checked="" type="checkbox"/>		

Notes	
Values without tolerance, are average production values.	
(1) Cold motor, 20 ° C ambient temperature, full speed	
(2) Without taking in count the torque gearbox limits, check gearbox characteristics	
(3) Continuously rated torque, zero radial and axial loads	
(4) Max torque for continuous operation at 20 ° C, decrease this value for higher ambient temperature	

## Command sequence

Drive sequence for Clock Wise rotation				
Step	1	2	3	4
1	-		-	
2		-		-
3	-		-	
4		-		-
5	-		-	

Gearbox Characteristics		
Type	Ovoide	81021
ratio		150
Shaft		standard
Front bearing		brass
Continuous max. torque	Nm	0,5
Max. Radial force (6mm from front face)	N	80
Max. axial force	N	10
Weight	g	275

