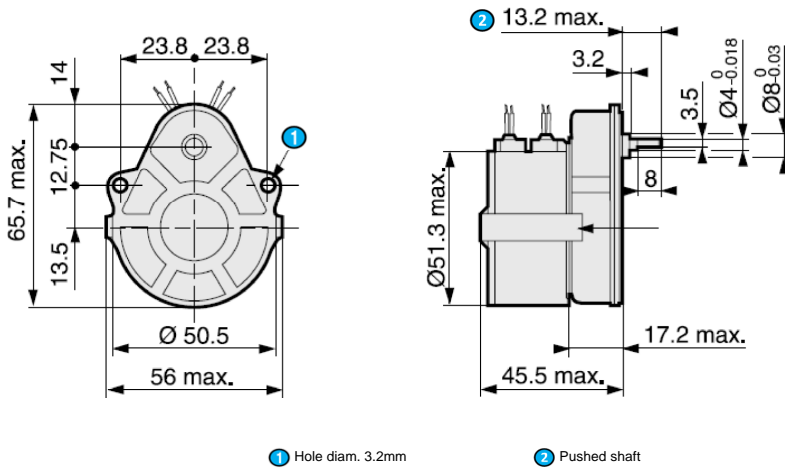


# Stepper gearmotor Data sheet

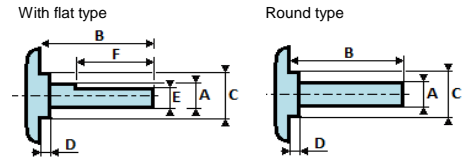
82 924 052  
ratio 300

Series  
**829240**



① Hole diam. 3.2mm

② Pushed shaft



Shaft ref.	Standard
Type	With flat type
$\varnothing A$	4 -0,018 +0
B	13,2 max
$\varnothing C$	8 -0,03 +0
D	3,2
E	3,5 -0,2 +0
F	8
$\varnothing G$	
H	

## Product

Code	82 924 052
Family	82924
Type	Stepper gearmotor
Definition	Motor 82920 1,7W 500 rpm nominal 7,5 °/t 48 step/t + Gearbox Ovoide ratio 300 2 phases 10,7 Ohms/phase

## General characteristics

Motor characteristics (1)	
Motor type	829200
Number of phases	2
Input power	W 7,5
Phase resistor	Ohm 10,7
Phase inductance	Mh 24
Phase current	A 0,59
Maintain torque	mNm 70
Voltage per phase	Vcc 6,3
Step angle	deg 7,5
Step precision	% 5
Rotor inertia	g.cm <sup>2</sup> 18,8
Max. detent torque	mNm 6
Weight	g 210
<b>Output leads</b>	
UL style 1569 105°C 300V - 4 leads AWG24	250 mm +- 10

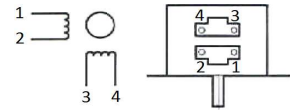
Gearmotor characteristics (1) (2)		A	B	C	D
Additional resistor /phase	Ohm	0	10,7	21,4	32,1
Voltage (phase + add. resistor)	Vcc	6,3	12,6	18,9	25,2
Max. output power	W	0,49	0,84	1,12	1,41
Speed at max. output power	rpm	0,7	1,0	1,3	1,6
Torque at max. output power	Nm	6,36	7,95	8,56	8,63
Max. current	A		0,59		
Weight	g		140		
Noise level	dBA		35		
Motor fixing on gearbox		<input checked="" type="checkbox"/> Clip			Screws
<b>Miscellaneous</b>					
Dielectric (1s/2mA/50Hz)	CEI60335	Vac	600		
Motor insulation	CEI60085	class	B		
Degree of protection	CEI60529	IP	40		
Temperature range	CEI60068-2-1/2	°C	-30 -> +70		
Storage temperature		°C	-40 -> +80		
<b>Approvals</b>					
ROHS	2011/65/UE		<input checked="" type="checkbox"/>		
EC	2014/30/UE		<input checked="" type="checkbox"/>		

Notes	
Values without tolerance, are average production values.	
(1) Cold motor, 20 ° C ambient temperature, full speed	
(2) Without taking in count the torque gearbox limits, check gearbox characteristics	
(3) Continuously rated torque, zero radial and axial loads	
(4) Max torque for continuous operation at 20 ° C, decrease this value for higher ambient temperature	

## Command sequence

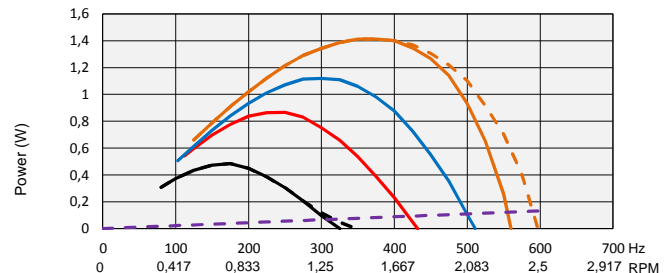
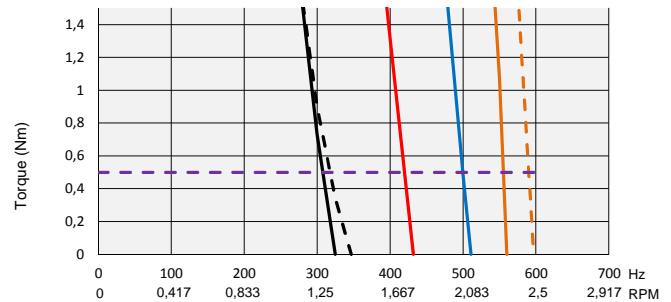
### Drive sequence for Clock Wise rotation

Step	1	2	3	4
1	-	+	-	+
2	-	+	+	-
3	+	-	+	-
4	+	-	-	+
5	-	+	-	+



## Gearbox Characteristics

Type	Ovoide	81021
ratio		300
Shaft		standard
Front bearing		Brass
Continuous max. torque	Nm	0,5
Max. Radial force (6mm from front face)	N	80
Max. axial force (5)	N	10
Weight	g	275



— A — B — C — D  
 - - - A+ (over-speed) - - - D+ (over-speed)  
 - - - Max. continuous gearbox torque

Specifications subject to change without notice. Updated 15/09/2016