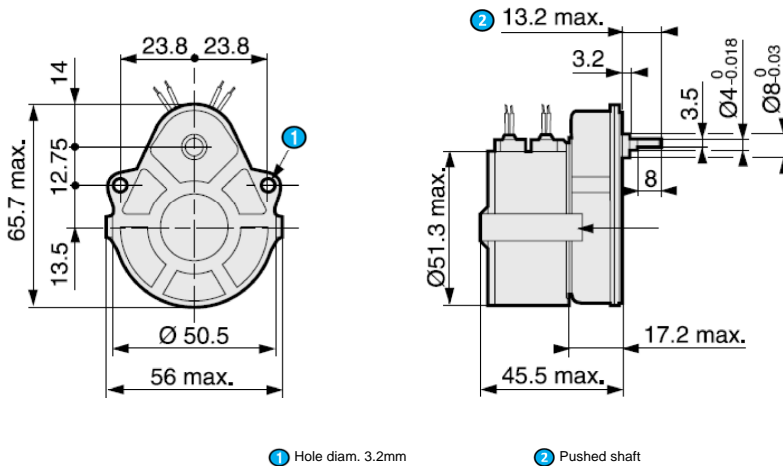


# Stepper gearmotor Data sheet

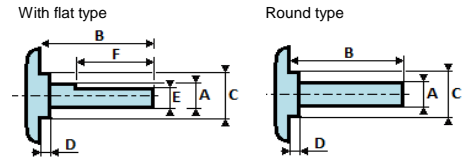
82 924 023  
ratio 25

Series  
**829240**

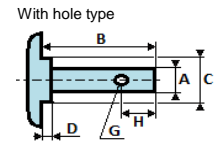


1 Hole diam. 3.2mm

2 Pushed shaft



| Shaft ref.      | Standard       |
|-----------------|----------------|
| Type            | With flat type |
| $\varnothing A$ | 4 -0,018 +0    |
| B               | 13,2 max       |
| $\varnothing C$ | 8 -0,03 +0     |
| D               | 3,2            |
| E               | 3,5 -0,2 +0    |
| F               | 8              |
| $\varnothing G$ |                |
| H               |                |



## Product

|            |   |
|------------|---|
| Code       | 82 924 023  |
| Family     | 82924   |
| Type       | Stepper gearmotor   |
| Definition | Motor 82920 1,7W 500 rpm nominal 7,5 °/t 48 step/t + Gearbox Ovoide ratio 25 2 phases 10,7 Ohms/phase |

## General characteristics

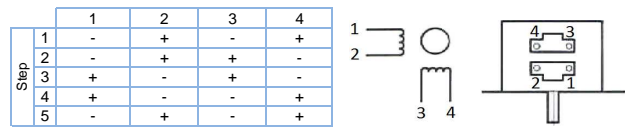
| Motor characteristics (1)                |                        |
|--|------------------------|
| Motor type                               | 829200                 |
| Number of phases                         | 2                      |
| Input power                              | W 7,5                  |
| Phase resistor                           | Ohm 10,7               |
| Phase inductance                         | Mh 24                  |
| Phase current                            | A 0,59                 |
| Maintain torque                          | mNm 70                 |
| Voltage per phase                        | Vcc 6,3                |
| Step angle                               | deg 7,5                |
| Step precision                           | % 5                    |
| Rotor inertia                            | g.cm <sup>2</sup> 18,8 |
| Max. detent torque                       | mNm 6                  |
| Weight                                   | g 210                  |
| <b>Output leads</b>                      |                        |
| UL style 1569 105°C 300V - 4 leads AWG24 | 250 mm +- 10           |

| Gearmotor characteristics (1) (2) |                | A  | B                                   | C          | D      |
|-----------------------------------|----------------|--|-------------------------------------|------------|--------|
| Additional resistor /phase        | Ohm            | 0  | 10,7                                | 21,4       | 32,1   |
| Voltage (phase + add. resistor)   | Vcc            | 6,3                                      | 12,6                                | 18,9       | 25,2   |
| Max. output power                 | W              | 0,51                                     | 0,88                                | 1,18       | 1,48   |
| Speed at max. output power        | rpm            | 8,8                                      | 12,5                                | 15,0       | 18,8   |
| Torque at max. output power       | Nm             | 0,56                                     | 0,70                                | 0,75       | 0,76   |
| Max. current                      | A              |  |                                     | 0,59       |        |
| Weight                            | g              |  |                                     | 140        |        |
| Noise level                       | dBA            |  |                                     | 35         |        |
| Motor fixing on gearbox           |                | <input checked="" type="checkbox"/> Clip |                                     |            | Screws |
| <b>Miscellaneous</b>              |                |  |                                     |            |        |
| Dielectric (1s/2mA/50Hz)          | CEI60335       | Vac                                      |                                     | 600        |        |
| Motor insulation                  | CEI60085       | class                                    |                                     | B          |        |
| Degree of protection              | CEI60529       | IP                                       |                                     | 40         |        |
| Temperature range                 | CEI60068-2-1/2 | °C                                       |                                     | -30 -> +70 |        |
| Storage temperature               |                | °C                                       |                                     | -40 -> +80 |        |
| <b>Approvals</b>                  |                |  |                                     |            |        |
| ROHS                              | 2011/65/UE     |  | <input checked="" type="checkbox"/> |            |        |
| EC                                | 2014/30/UE     |  | <input checked="" type="checkbox"/> |            |        |

| Notes   |  |
|---|--|
| Values without tolerance, are average production values.  |  |
| (1) Cold motor, 20 ° C ambient temperature, full speed  |  |
| (2) Without taking in count the torque gearbox limits, check gearbox characteristics                  |  |
| (3) Continuously rated torque, zero radial and axial loads  |  |
| (4) Max torque for continuous operation at 20 ° C, decrease this value for higher ambient temperature |  |

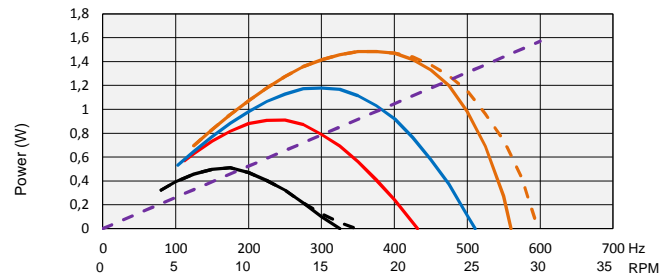
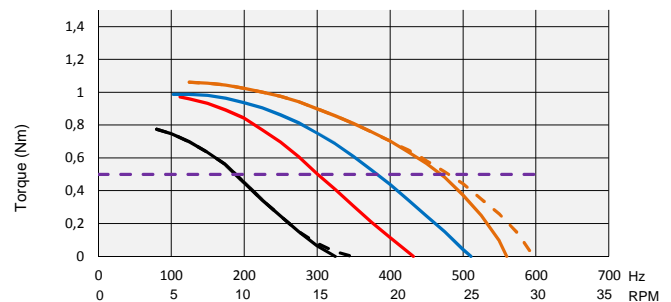
## Command sequence

### Drive sequence for Clock Wise rotation



## Gearbox Characteristics

| Type                                    | Ovoide | 81021    |
|---|--------|----------|
| ratio                                   |        | 25       |
| Shaft                                   |        | standard |
| Front bearing                           |        | Brass    |
| Continuous max. torque                  | Nm     | 0,5      |
| Max. Radial force (6mm from front face) | N      | 80       |
| Max. axial force (5)                    | N      | 10       |
| Weight                                  | g      | 275      |



— A — B — C — D  
 - - - A+ (over-speed) - - - D+ (over-speed)  
 - - - Max. continuous gearbox torque

Specifications subject to change without notice. Updated 15/09/2016